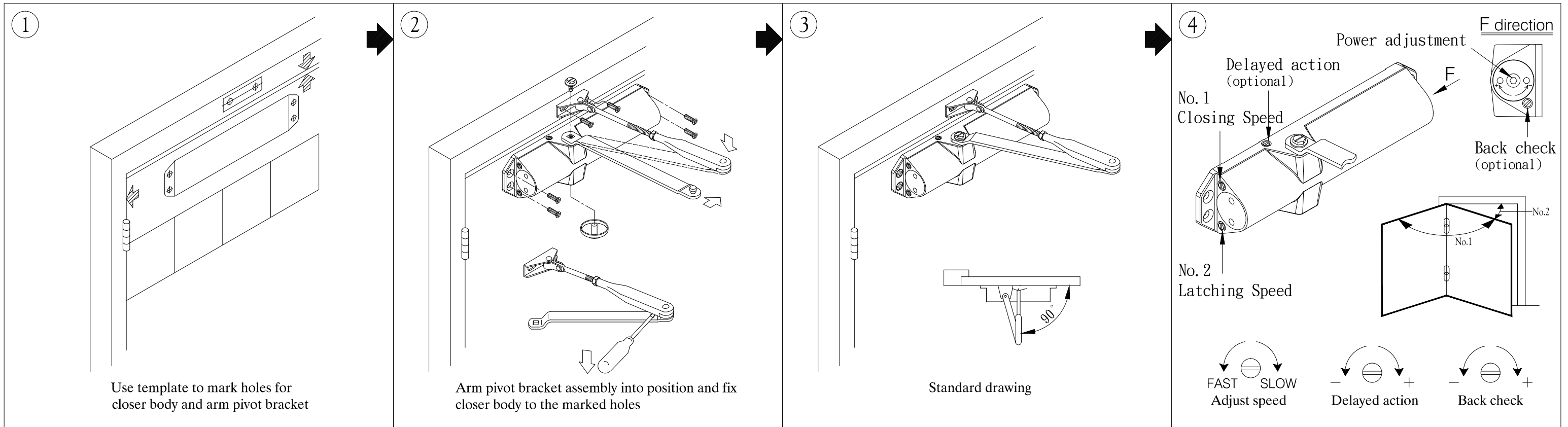
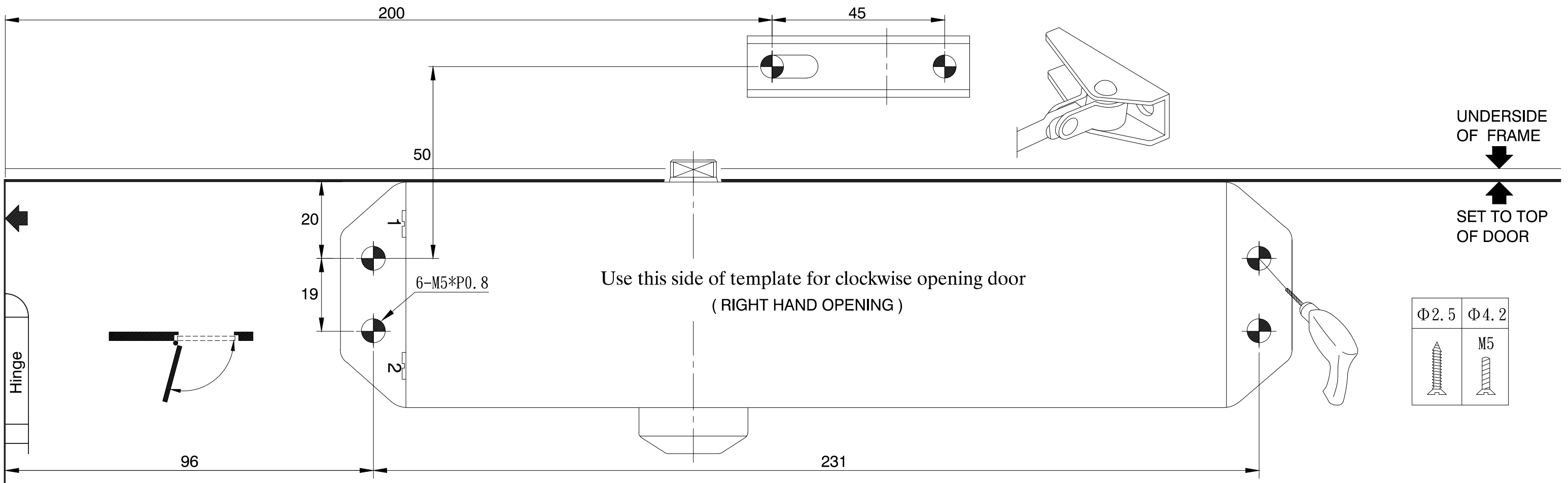


	No. of turns	Direction	Size	Max. door width	Max. opening angle
2-5 MODEL	3	-	2	850mm	180°
	0	*	3	950mm	180°
	3	+	4	1100mm	180°
	8	+	5	1250mm	110°

\* : FACTORY PRE-SET



	No.of turns	Direction	Size	Max. door width	Max. opening angle
2-5 MODEL	3	-	2	850mm	180°
	0	*	3	950mm	180°
	3	+	4	1100mm	180°
	8	+	5	1250mm	110°

\* : FACTORY PRE-SET