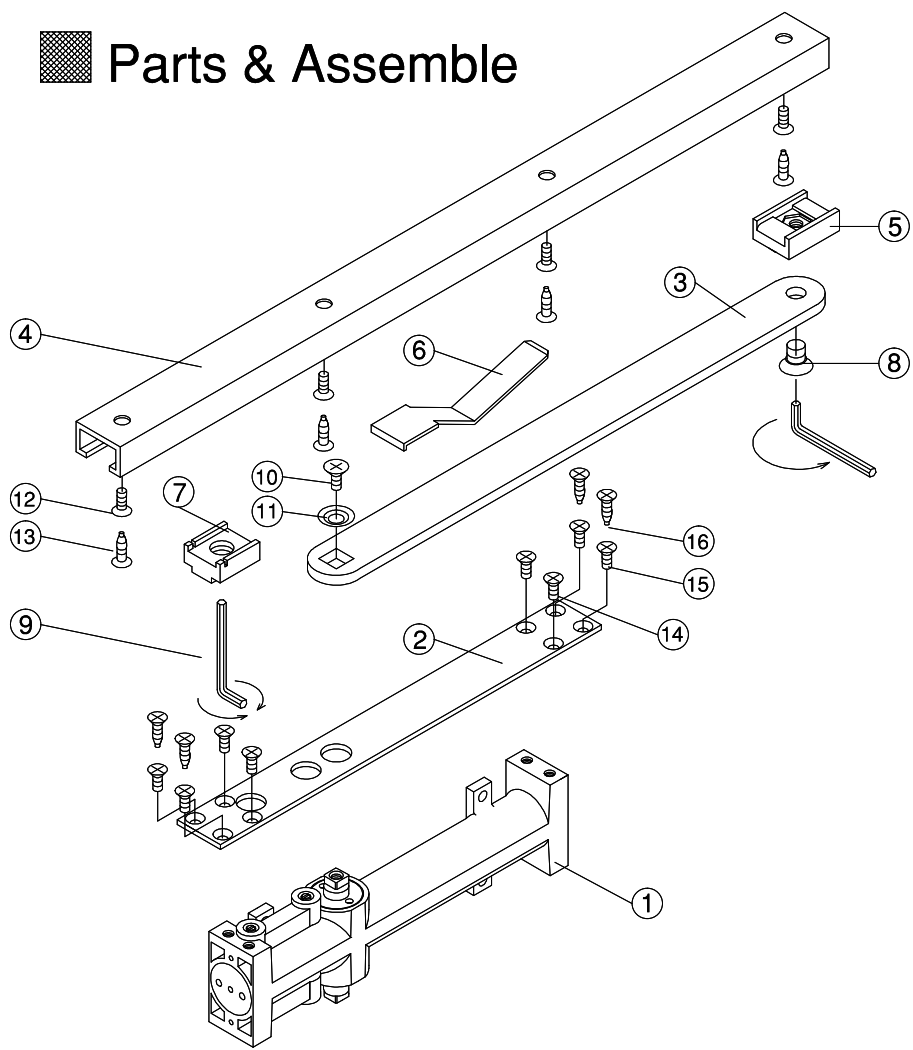
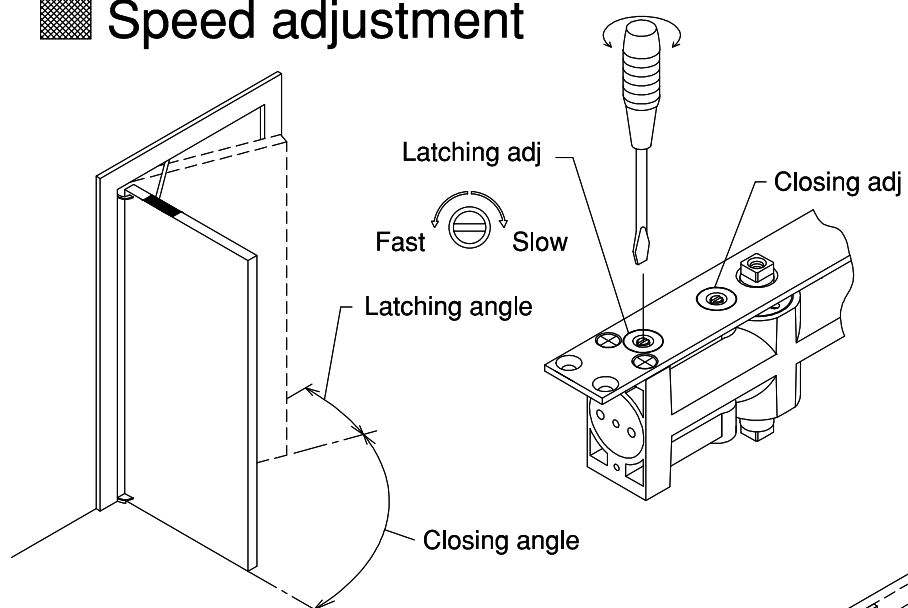


## Parts & Assemble

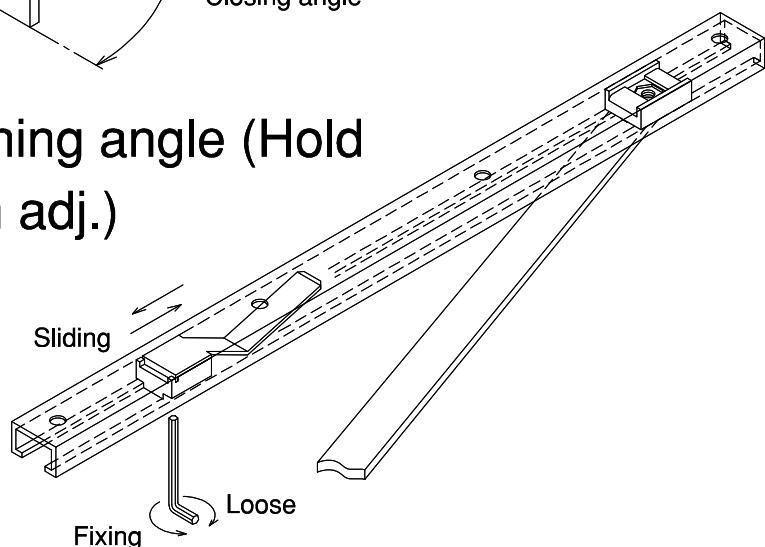


NO	Parts	QTY
①	Body	1
②	Fixing plate	1
③	Main arm	1
④	Track	1
⑤	Stopper	1
⑥	Spring plate	1
⑦	Fixing part	1
⑧	Fixing screw M8	1
⑨	Wrench 5mm	1
⑩	M5x12L	1
⑪	Washer	1
⑫	M5x15L	4
⑬	3/16"x1"L (wooden screw)	4
⑭	M5x12L	4
⑮	M5x15L	4
⑯	3/16"x1"L (wooden screw)	4

## Speed adjustment



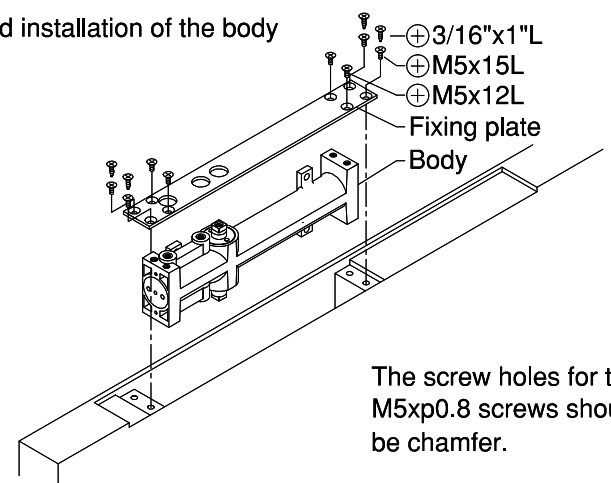
## Opening angle (Hold open adj.)



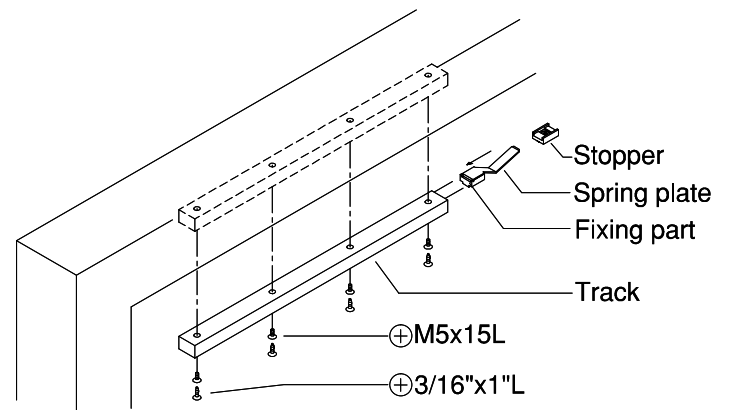
## Suitable for RH/LH USE

## INSTALLATION

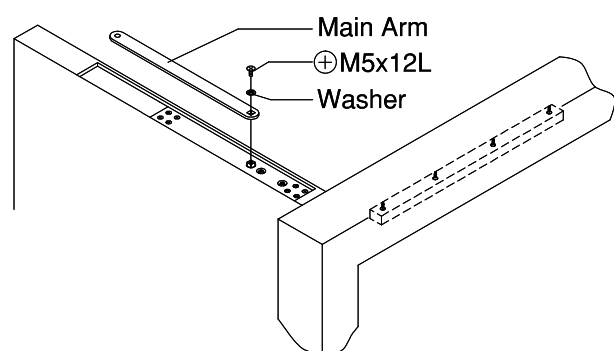
### ① Fixing and installation of the body



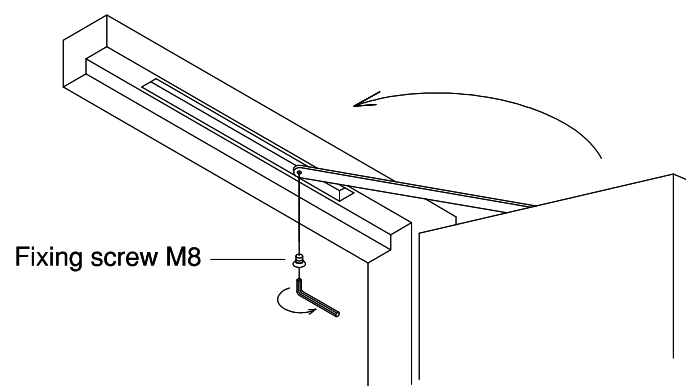
### ② Fixing and installation of the track arm



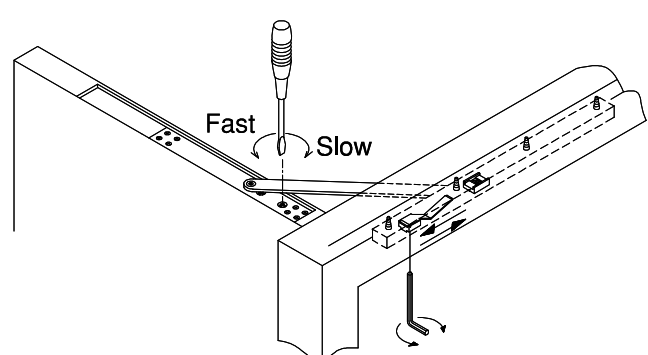
### ③ Combining the main arm and body



### ④ Combining the main arm and the sliding plastic part in the track

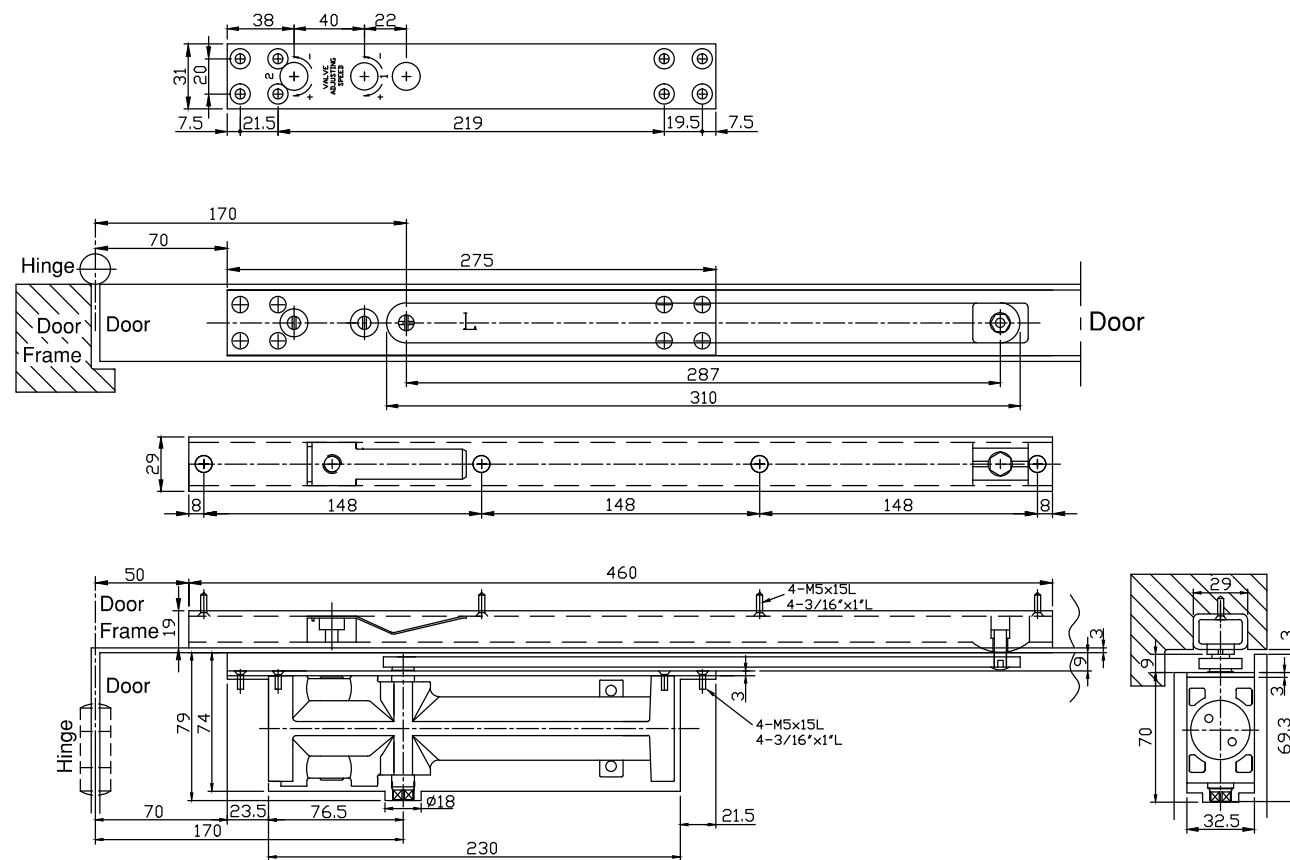


### ⑤ Opening angle and closing speed adjustment .



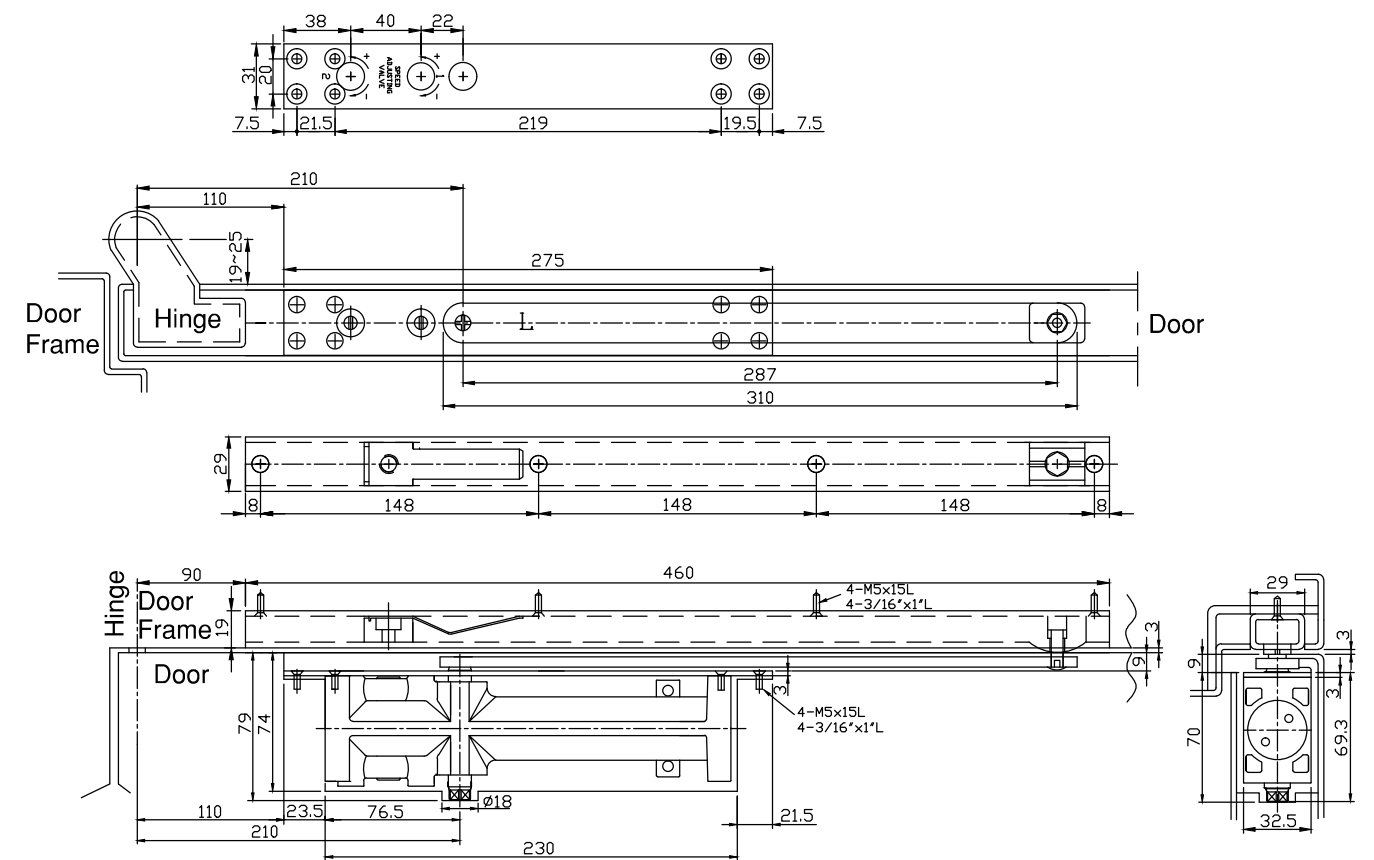
## Concealed Door Closer For Wooden Door

⊗ Left hand opening

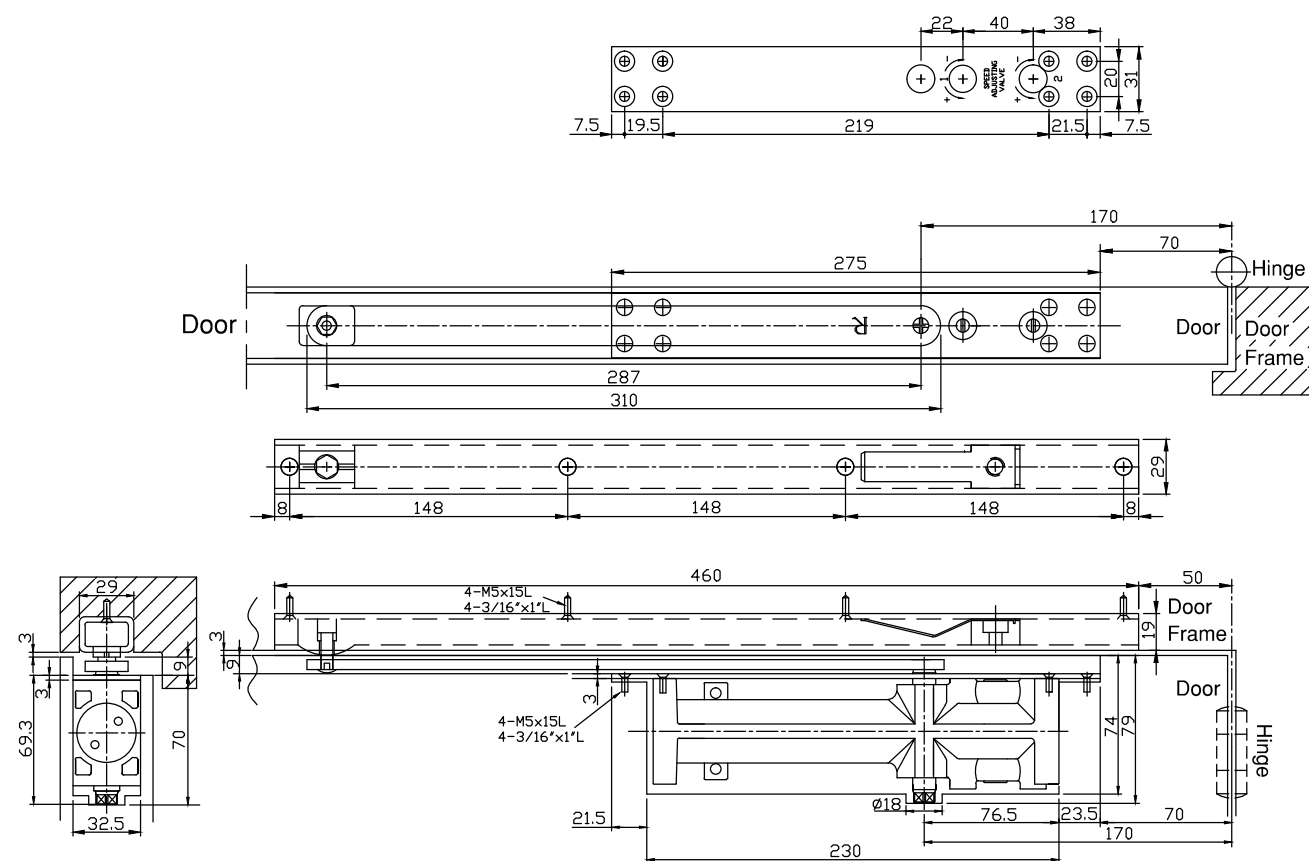


## Concealed Door Closer For Steel Door

⊗ Left hand opening



⊗ Right hand opening



⊗ Right hand opening

